

EP4T Fiber Extender



Specifications

Change History

File Version	Release Date	Description
V1.3.0	2025-07-04	Added the forced lossless output description.
V1.2.0	2025-04-23	Added the 12-bit description.
V1.1.0	2025-03-18	Updated the applications diagram and OPT port specifications.
V1.0.0	2024-11-28	First release

Introduction

The EP4T fiber extender employs advanced fiber optic technology to achieve lossless, long-distance transmission of audio and video signals via optical fiber. Unlike traditional cables, it effectively addresses limitations in length and signal degradation.

Featuring lossless compression technology, the EP4T ensures optimal video signal quality, providing users with a clear and detailed visual experience. Its compact design and straightforward installation offer plug-and-play convenience, eliminating the need for complex setup. This allows users to effortlessly extend audio and video signals to their desired location.

The EP4T is versatile and can be employed in various settings, including home theaters, conference systems, and monitoring centers. Suitable for both commercial and personal use, it delivers stable and reliable video transmission, making it an ideal choice for high-definition video transmission over long distances.

Certifications

CE, FCC, RoHS, KC, RCM, EAC, PSE, CB

If the product does not have the relevant certifications required by the countries or regions where it is to be sold, please contact PIXELHUE to confirm or address the problem.

Otherwise, the customer shall be responsible for the legal risks caused or PIXELHUE has the right to claim compensation.

Features

- Ultra-HD lossless transmission

Supports 8-bit/10-bit/12-bit transmission, utilizing advanced encoding technology to optimize video signals, ensuring clear and smooth image quality during transmission.

- 8-bit 4:4:4, max 4096×2160@60Hz
- 10-bit 4:4:4, max 4096×2160@30Hz
- 12-bit 4:2:2, max 4096×2160@60Hz

- Long-distance transmission

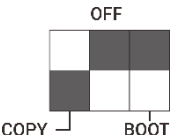
Transmit video signals over long distances via optical fiber without concerns about signal degradation

- Strong anti-Interference ability
Fiber optic transmission is resistant to electromagnetic interference, ensuring stable signal transmission even in challenging electromagnetic environments.
- Clear signal indicators for easy device status monitoring
- EDID intelligent recognition, compatible with various device connections
- Input source copy function
- 3D and HDR passthrough
- Zero latency video transmission
- KVM
Support remote control of multi-platform PC hosts via KVM roaming.
- Simple operation, plug and play
- HDCP-encrypted video transmission
- 24/7 operation

Appearance

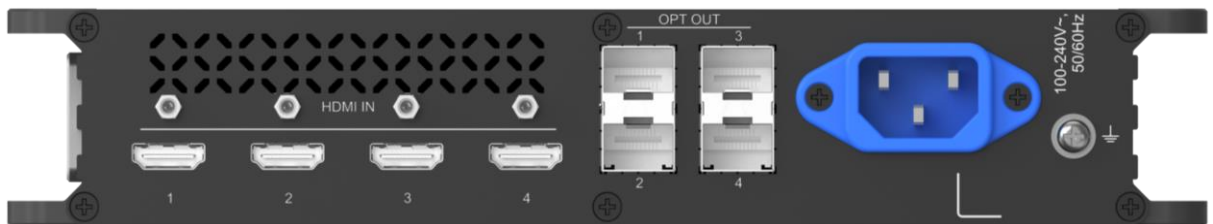
Front Panel



Area	Function
DIP switch 	<ul style="list-style-type: none"> • Dip switch 1: Enable or disable the input source copying function. <ul style="list-style-type: none"> – OPT 1 and OPT 2 output the identical content from HDMI 1 or HDMI 2. – OPT 3 and OPT 4 output the identical content from HDMI 3 or HDMI 4. • Dip switch 2: Reserved function • Dip switch 3: Enable or disable the BOOT mode for device update. • Set DIP switches 1 and 2 to the down position to enable forced lossless output. <ul style="list-style-type: none"> – OPT 1 and OPT 2 together (left and right) output the HDMI 1 input image. HDMI 2 input is not supported. – OPT 3 and OPT 4 together (left and right) output the HDMI 3 input image. HDMI 4 input is not supported. – When using forced lossless output, it must work with EP4R devices. <p>Note After enabling or disabling BOOT mode, the device must be restarted.</p>
USB	1x USB 2.0 (type-B) Connect a control computer for remote control or firmware update.

Area	Function
Power indicator PWR	1x LED indicator (red), showing power status <ul style="list-style-type: none"> • On: The device is powered on. • Off: The device is powered off.
Input indicator IN1–IN4	4x LED indicators, showing input connection status <ul style="list-style-type: none"> • Green: The input connector has input. • Blue: The connector port has input and is transmitting HDCP-encrypted video. • Off: The input connector has no input. • Four indicators flash slowly (1 Hz/s, green): Enter the BOOT mode. • Four indicators flash quickly (2 Hz/s, green): The device update is in progress. • When the input source copying switch is turned on and the resolutions differ, the corresponding indicators for the input sources flash quickly (2 Hz/s, green).

Rear Panel

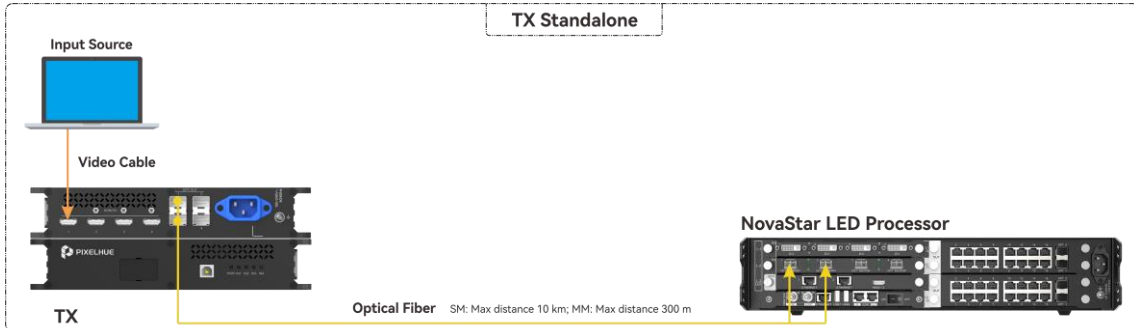


Connector		Description
HDMI IN	HDMI	4x HDMI 2.0 <ul style="list-style-type: none"> • Max input resolution per connector: 3840×2160@60Hz • Single connector width range: 800 to 8192 pixels • Single connector height range: 600 to 7680 pixels • Max bit depth: 12-bit, compatible with 10-bit and 8-bit • Color space/sampling rate: RGB 4:4:4, YCbCr 4:4:4, YCbCr 4:2:2 • Support YCbCr 4:2:0 when the input resolution is 3840×2160@30Hz. • Support embedded audio input, with a sampling rate of 48 kHz. • Support HDR and 3D video passthrough. • Support progressive and interlaced video signal transmission. • HDCP 2.2 compliant, compatible with HDCP 1.4
OPT OUT	OPT	4x 10.3125G optical ports <ul style="list-style-type: none"> • Standalone: Max resolution per port: 3840×2160@30Hz • Paired: Max resolution per port: 3840×2160@60Hz • Single connector width range: 800 to 8192 pixels • Single connector height range: 600 to 7680 pixels • Max bit depth: 12-bit, compatible with 10-bit and 8-bit

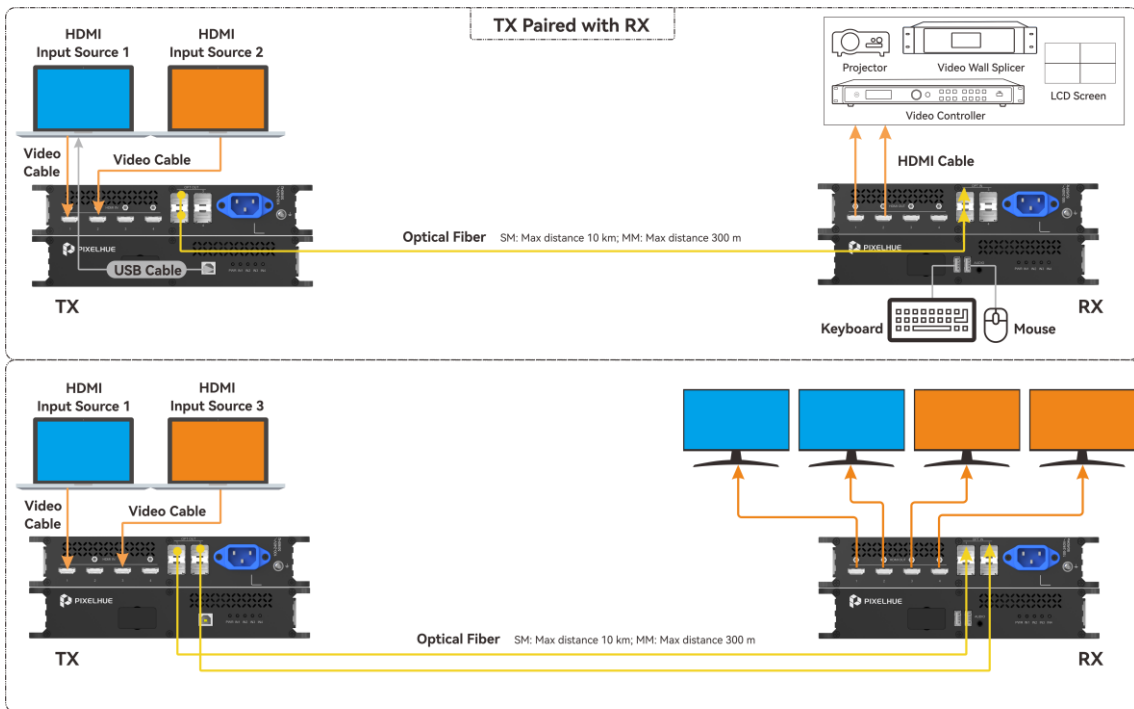
Connector		Description
		<ul style="list-style-type: none"> • Color space/sampling rate: RGB 4:4:4, YCbCr 4:4:4, YCbCr 4:2:2, YCbCr 4:2:0 • Support embedded audio input, with a sampling rate of 48 kHz. • Support HDR and 3D video passthrough. • Support progressive and interlaced video signal transmission. • HDCP 2.2 compliant, compatible with HDCP 1.4 • Support single-mode transmission. Recommended optical module: EOLP-1396-10-I, with a maximum distance of 10 km • Support multimode transmission. Recommended optical module: EOLP-8596-02-I, with a maximum distance of 300 m • Dual-core LC fiber optic cables must be used to ensure stable signal transmission and system reliability. <p>Note</p> <p>25G optical modules are not supported.</p> <p>The product includes 4x EOLP-1396-10-I SM modules. Please use recommended modules for replacements when necessary.</p>
Power	-	100–240V~, 50/60Hz

Applications

Standalone Use



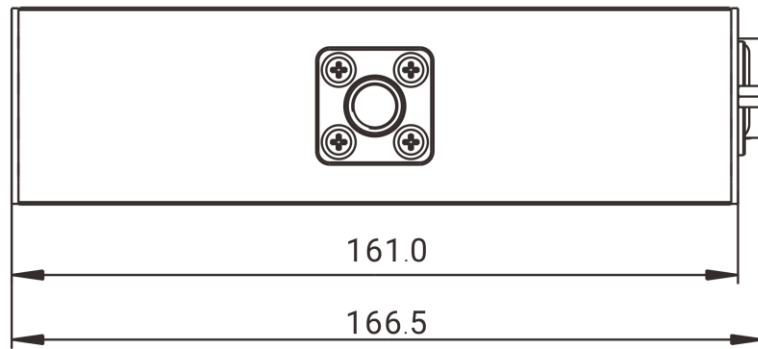
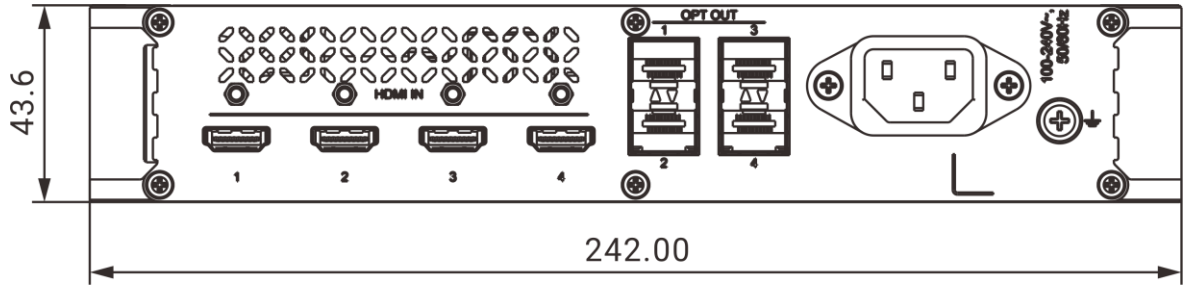
Paired Use



Note

- The picture is for illustration purpose only. In actual use, stacking of the devices is forbidden.
- All fiber optic cables within the optical module must be connected, otherwise the device may experience operational anomalies.

Dimensions

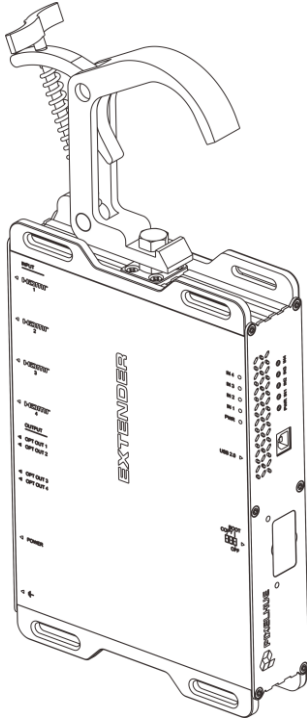


Tolerance: ± 0.3 Unit: mm

Installation

C-Clamp Installation

Mount the device with a c-clamp.



Desktop Use

Place the device on a stable desktop.

Note

For the specific installation dimensions, please contact PIXELHUE technical support.

Specifications

Electrical Specifications	Power	100–240V~, 50/60Hz
	Max power consumption	28 W
Operating Environment	Temperature	–20°C to +55°C
	Humidity	5% RH to 85% RH, non-condensing
Storage Environment	Temperature	–20°C to +60°C
	Humidity	5% RH to 95% RH, non-condensing
Physical Specifications	Dimensions	242.0 mm × 43.6 mm × 166.5 mm
Noise Level (Typical at 25°C/77°F)		35 dB (A)
Packing Information	Accessories	1x Power adapter 4x OPT modules 1x HDMI cable 1x Certificate of Approval 1x Safety Manual
	Net weight	1.5 kg
	Gross weight	1.8 kg
	Packing size	392 mm × 265 mm × 92 mm

Input Specifications

Input Connector	Bit Depth		Max Resolution
HDMI	8-bit	RGB 4:4:4	8192×1080@60Hz 4096×2160@60Hz
		YCbCr 4:4:4	
		YCbCr 4:2:2	
		YCbCr 4:2:0	
	10-bit	RGB 4:4:4	4096×2160@30Hz
		YCbCr 4:4:4	
		YCbCr 4:2:2	4096×2160@60Hz
		YCbCr 4:2:0	
	12-bit	YCbCr4:2:2	4096×2160@60Hz
		YCbCr4:2:0	

Notes and Cautions

FCC Caution

Any changes or modifications not expressly approved by the party responsible for compliance could void the user's authority to operate the equipment.

This device complies with part 15 of the FCC Rules. Operation is subject to the following two conditions: (1) This device may not cause harmful interference, and (2) this device must accept any interference received, including interference that may cause undesired operation.

Note: This equipment has been tested and found to comply with the limits for a Class A digital device, pursuant to part 15 of the FCC Rules. These limits are designed to provide reasonable protection against harmful interference when the equipment is operated in a commercial environment. This equipment generates, uses, and can radiate radio frequency energy and, if not installed and used in accordance with the instruction manual, may cause harmful interference to radio communications. Operation of this equipment in a residential area is likely to cause harmful interference in which case the user will be required to correct the interference at his own expense.

Others

This is Class A product. In a domestic environment, this product may cause radio interference in which case the user may be required to take adequate measures.

Copyright © 2025 Pixelhue Technology Ltd. All Rights Reserved.

No part of this document may be copied, reproduced, extracted or transmitted in any form or by any means without the prior written consent of Pixelhue Technology Ltd (hereinafter referred to as PIXELHUE).

Trademarks

 **PIXELHUE** is a trademark of Pixelhue Technology Ltd.

Brand and product names mentioned in this manual may be trademarks, registered trademarks or copyrights of their respective holders.

Statement

Thank you for choosing PIXELHUE products. This document is intended to help you understand and use the products. PIXELHUE may make improvements and/or changes to this document at any time and without prior notice. If you experience any problems in use or have any suggestions, please contact us via the contact information given in this document. We will do our best to solve any issues, as well as evaluate and implement any suggestions.

This document could contain technical inaccuracies or typographical errors. Changes are periodically made to the information in this document; these changes are incorporated in new editions of this document.

The latest edition of user manuals can be downloaded from the PIXELHUE website www.pixelhue.com.

| [Official website](http://www.pixelhue.com)
| www.pixelhue.com

| [Technical support](mailto:service@pixelhue.com)
| service@pixelhue.com